

Surgery Table in Corian

Down ventilated surgery table for protection of the operator against allergens and anesthesia gas spillage. Surface in the unique material Corian offering excellent heat distribution properties and a robust and soft, "warm" surface to work on. Equipped with 3 downflow modules available in 2 designs:

Modul type 1 standard

Downflow module with perforations along the edges.

Modul type 2 with heating

Downflow module with perforations along the edges and integrated heating. Fitted with waterproof plug. Temperature adjustment in steps of 1°C from room temperature and up to 37°C. The temperature is adjusted on a display on the front of the surgery table. Current temperature is shown on the display.

Both module types withstand machine wash and are equipped with recessed stainless steel handle for easy removal of module for cleaning.

The induction box is available in two sizes (mouse and rat) in red transparent plastic. The combination of an efficient downflow and an active suction provided by the gas exhaust unit, gives the operator a very efficient protection against exposure to anesthesia gas when the induction box is opened. The exhaust duct is prepared for connection of the gas exhaust unit.



The gas exhaust unit actively vents the induction box when it is opened. The gas exhaust unit can be connected directly to the exhaust duct or a charcoal filter.

Free standing induction box solution

Induction box mouse:

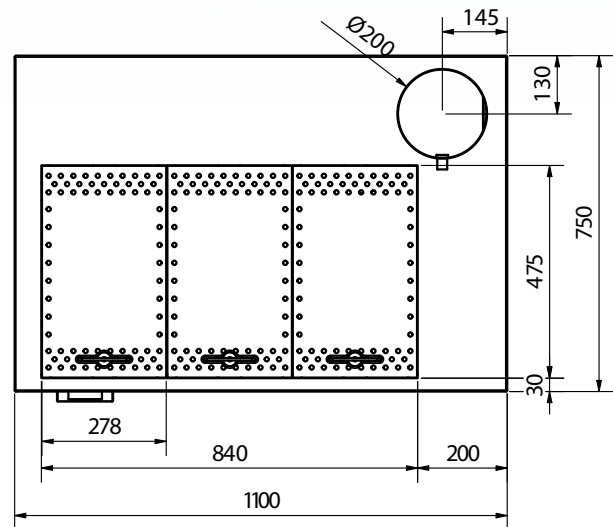
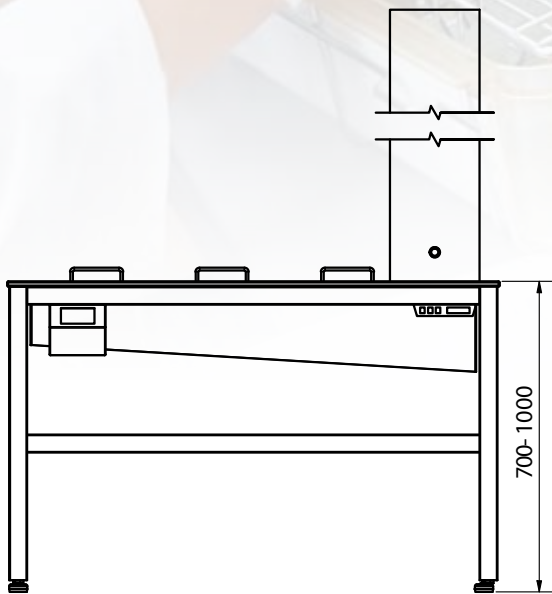
Int. dim 150 L x 100 B x 70 H mm
Ext. dim 170 L x 120 B x 95 H mm

Induction box rat:

Int. dim 250 L x 130 B x 90 H mm
Ext. dim 270 L x 150 B x 115 H mm

Dimensions and material

- External dim: W 1100 x D 750 x H 700-1000 mm
- Down ventilated area: W 840 x D 475 mm
- Module dim: W 278 x 475 mm (3 modules required)
- Surface in CORIAN farven Cameo White
- Frame in stainless steel AISI304 polyester coated RAL9016 (white)
- Plenum sink with ballofix drain in stainless steel AISI304



Installation requirements

- Connection to building exhaust ventilation required: 570 m³/h, pressure drop approx 140 Pa
- The location of the exhaust duct must be chosen when the order is placed, left, right, or centre
- Electrically height adjustable (optional): 230V, 50 Hz
- Heated module (optional): 230V, 50Hz

Op^end Life Science Solutions



Other solutions ...

We make customized solutions – meeting your specific requirements!

Op^end Life Science Solutions

Op^end
DK-4681 Herfølge, Denmark
T: +45 29 344 334
E: tine@opend.eu
W: www.opend.eu